

1 2 3 4 5 6

A

A

B

B

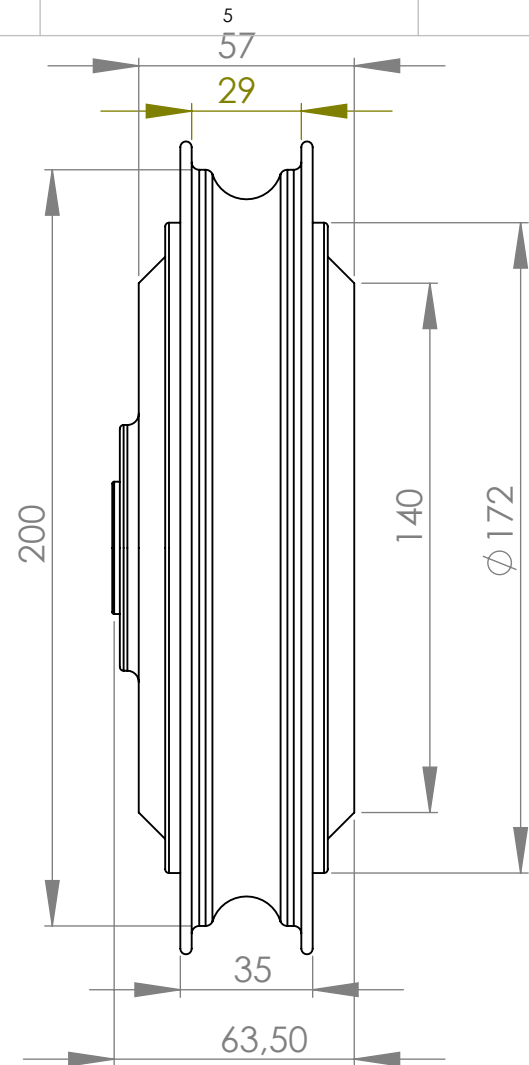
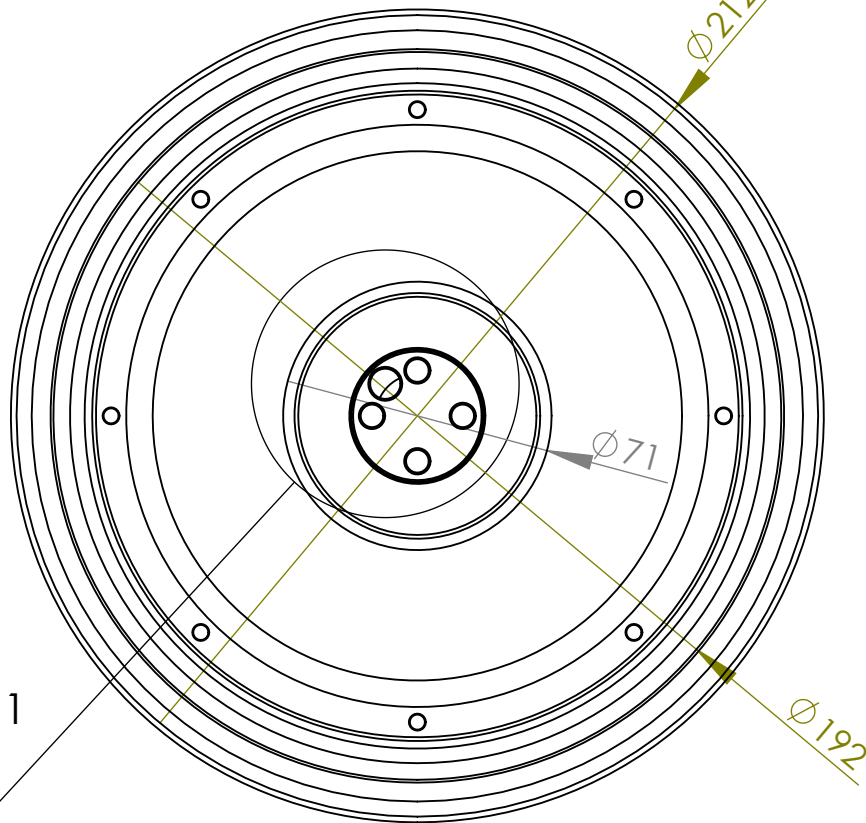
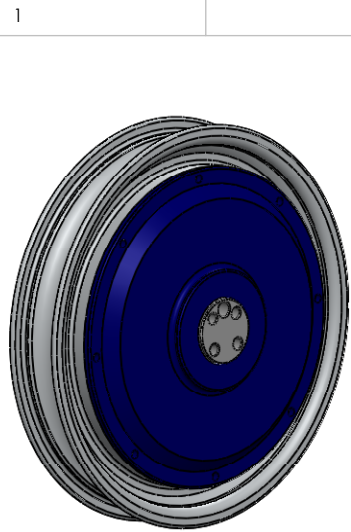
C

C

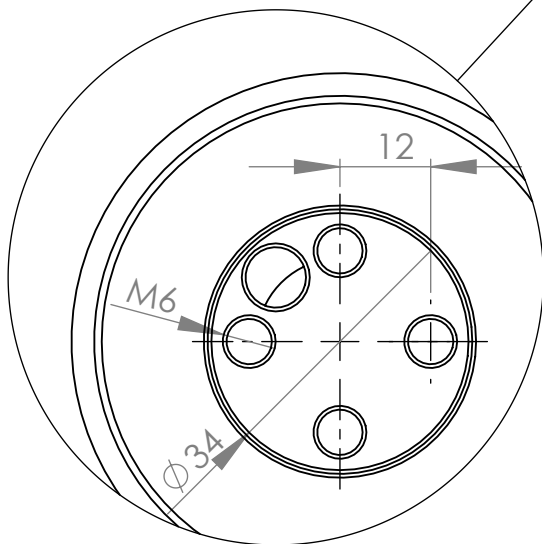
D

1

2



DETAIL A
MABSTAB 1 : 1



UNLESS OTHERWISE SPECIFIED:
DIMENSIONS ARE IN MILLIMETERS
SURFACE FINISH:
TOLERANCES:
LINEAR:
ANGULAR:

FINISH:

DEBUR AND
BREAK SHARP
EDGES

DO NOT SCALE DRAWING

REVISION

dmg movement

	NAME	SIGNATURE	DATE		
DRAWN					
CHK'D					
APPV'D					
MFG					
Q.A					
				MATERIAL:	
				WEIGHT:	

TITLE:

SYM36-20ZE

DWG NO.

A4

SCALE:1:5

SHEET 1 OF 1